

# Panasonic Broadcast Mechanical Parts List

MODEL: **AJ-SDC615P/E, D615MC**

Note:

1. \*Be sure to make your orders of replacement parts according to this list.
2. Unless otherwise specified, all resistors are in OHMS, K=1,000 OHMS, all capacitors are in MICROFARADS ( $\mu$ F), P= $\mu$  $\mu$ F.
3. The P.C. Board unit marked with "■" shown below the main assembled parts.
4. The parts marked with (E) on the exploded view show the electric parts.
5. IMPORTANT SAFETY NOTICE  
Components identified with the mark  $\Delta$  have the special characteristics for safety. When replacing any of these components, use only the same type.
6. The marking (RTL) indicates the retention time is limited for this item.  
After the discontinuation of this assembly in production, it will no longer be available.
7. "M" in Remark column indicates needed in the periodical maintenance.

## CONTENTS

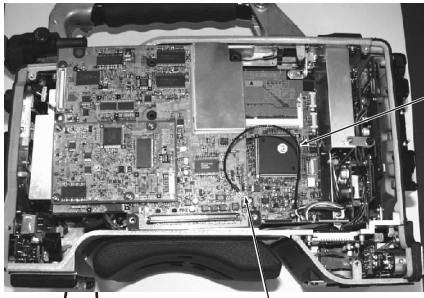
SERVICING FIXTURES & TOOLS

CASING & FRAME ASSEMBLY .....	PRT-1
OVERALL SECTION .....	PRT-1
[ A ] CASSETTE COVER ASSEMBLY .....	PRT-4
[ B ] SIDE CASE (L) ASSEMBLY .....	PRT-4
[ C ] L SIDE SECTION .....	PRT-5
[ D ] SIDE CASE (R) SECTION .....	PRT-5
[ E ] SIDE CASE (R) 1 ASSEMBLY .....	PRT-7
[ F ] FRONT CASE SECTION .....	PRT-8
[ G ] FRONT CASE 1 ASSEMBLY .....	PRT-8
[ H ] CAMERA ASSEMBLY .....	PRT-9
[ J ] BOTTOM CASE SECTION .....	PRT-11
[ K ] SHOULDER PAD ASSEMBLY .....	PRT-12
[ L ] TOP CASE SECTION .....	PRT-12
[ M ] HANDLE SECTION .....	PRT-13
[ N ] HANDLE COVER SECTION .....	PRT-14
[ P ] TOP OPERATION SECTION .....	PRT-14
[ Q ] RECEIVER COVER ASSEMBLY .....	PRT-14
[ R ] BACK CASE SECTION .....	PRT-15
[ S ] JACK PANEL SECTION .....	PRT-16
[ T ] BOTTOM COVER ASSEMBLY .....	PRT-16
[ U ] SIDE JACK ASSEMBLY .....	PRT-16
MECHANICAL CHASSIS ASSEMBLY (1) .....	PRT-17
MECHANICAL CHASSIS ASSEMBLY (2) .....	PRT-19
MECHANICAL CHASSIS ASSEMBLY (3) .....	PRT-21
PACKING PARTS ASSEMBLY .....	PRT-23

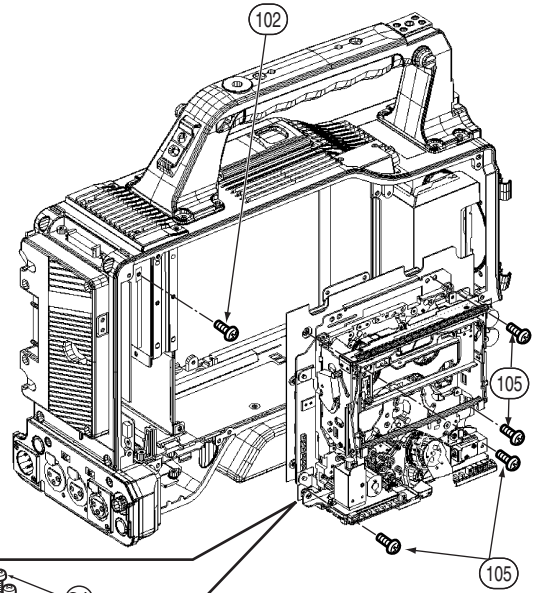




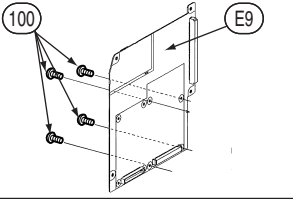
# OVERALL SECTION (2)



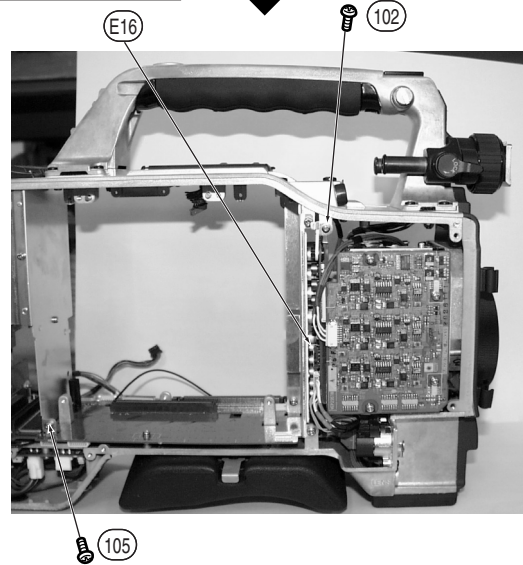
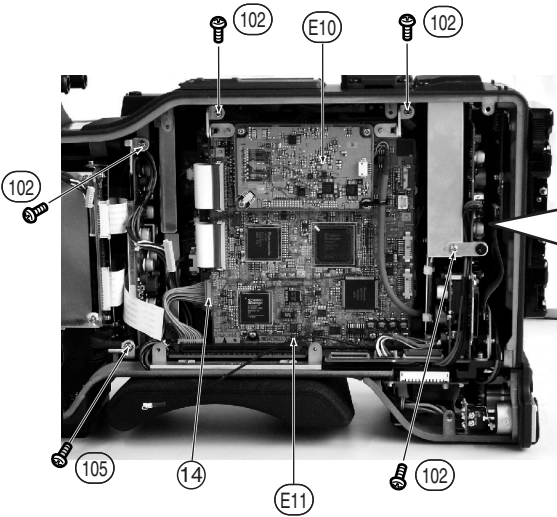
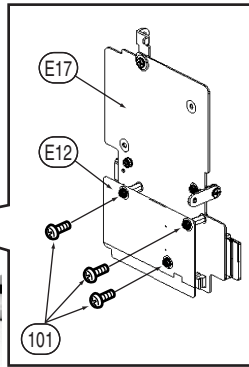
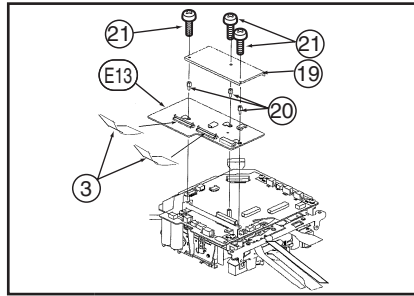
**J** BOTTOM CASE SECTION  
(Page PRT-11)  
(Refer to "J- (15) ")



Back side View of CAM DSP P.C. Board.



Video Out Terminal



Ref.No.	Part No.	Part Name & Description	Pcs	Remarks
		OVERALL SECTION (2)		
3	VWJ50E5032L0	FLEX. CABLE	2	
14	VEE0W15	RF POWER CABLE	1	
17	VXY1858	MECHANISM ASS'Y	1 (M)	
19	VSC5657	RF EQ SHIELD	1	
20	VMX3201	SPACER (A)	3	
21	VHD1323	SCREW	3	
100	XYN26+J4FJ	SCREW	4	
101	XYN2+F6FJ	SCREW	3	
102	XYN26+J6FJ	SCREW	6	
105	XYN3+J6FJ	SCREW	6	
E9	VEP23609B	CAM DSP P.C.BOARD	1	FOR AJ-SDC615P
E9	VEP23609C	CAM DSP P.C.BOARD	1	FOR AJ-SDC615E/D615MC
E10	VEP83636E	1394 MODULE P.C.BOARD	1	
E11	VEP26288C	VTR MAIN P.C.BOARD	1	FOR AJ-SDC615P

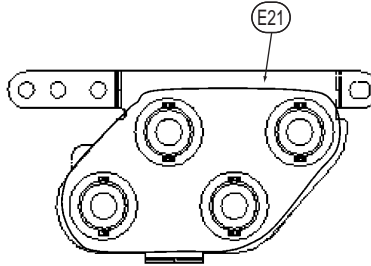
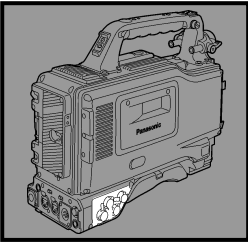
Ref.No.	Part No.	Part Name & Description	Pcs	Remarks
E11	VEP26288B	VTR MAIN P.C.BOARD	1	FOR AJ-SDC615E/D615MC
E12	VEP84388A	CUE P.C.BOARD	1	
E13	VEP85220A	RF EQ P.C.BOARD	1	
E16	VEP21280B	CAMERA POWER P.C.BOARD	1	
E17	VEP21291A	VTR POWER P.C.BOARD	1	



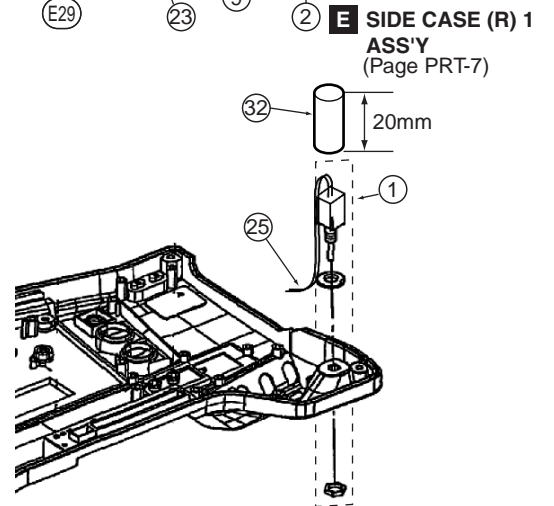
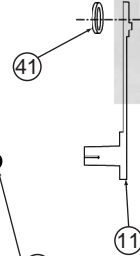
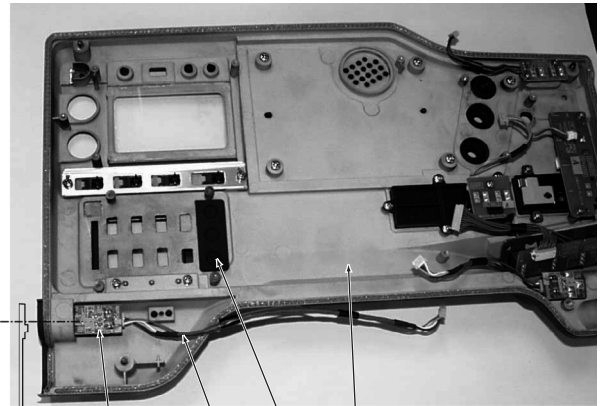
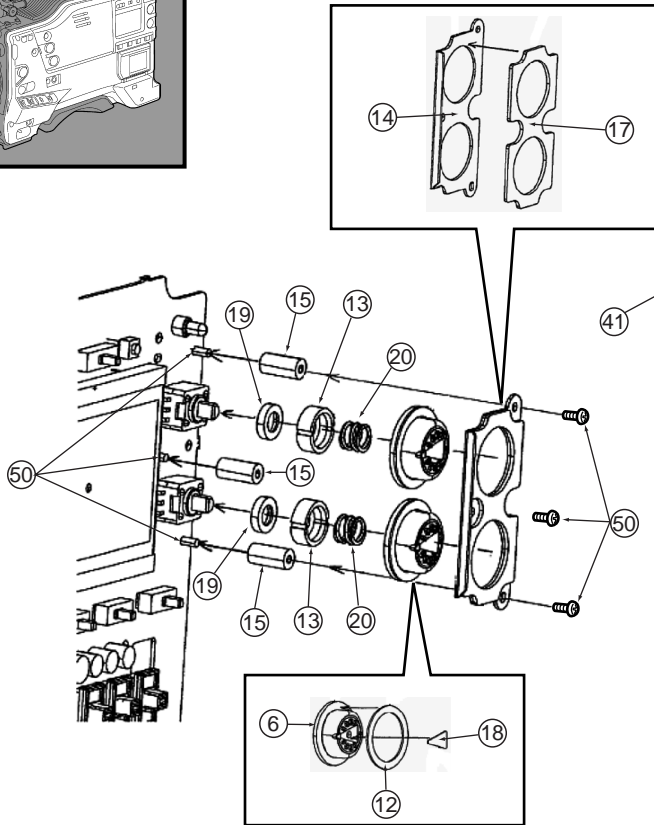
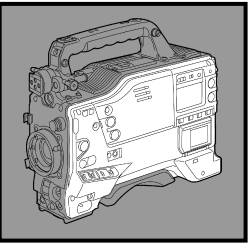




# C L SIDE SECTION



# D SIDE CASE (R) SECTION (1)

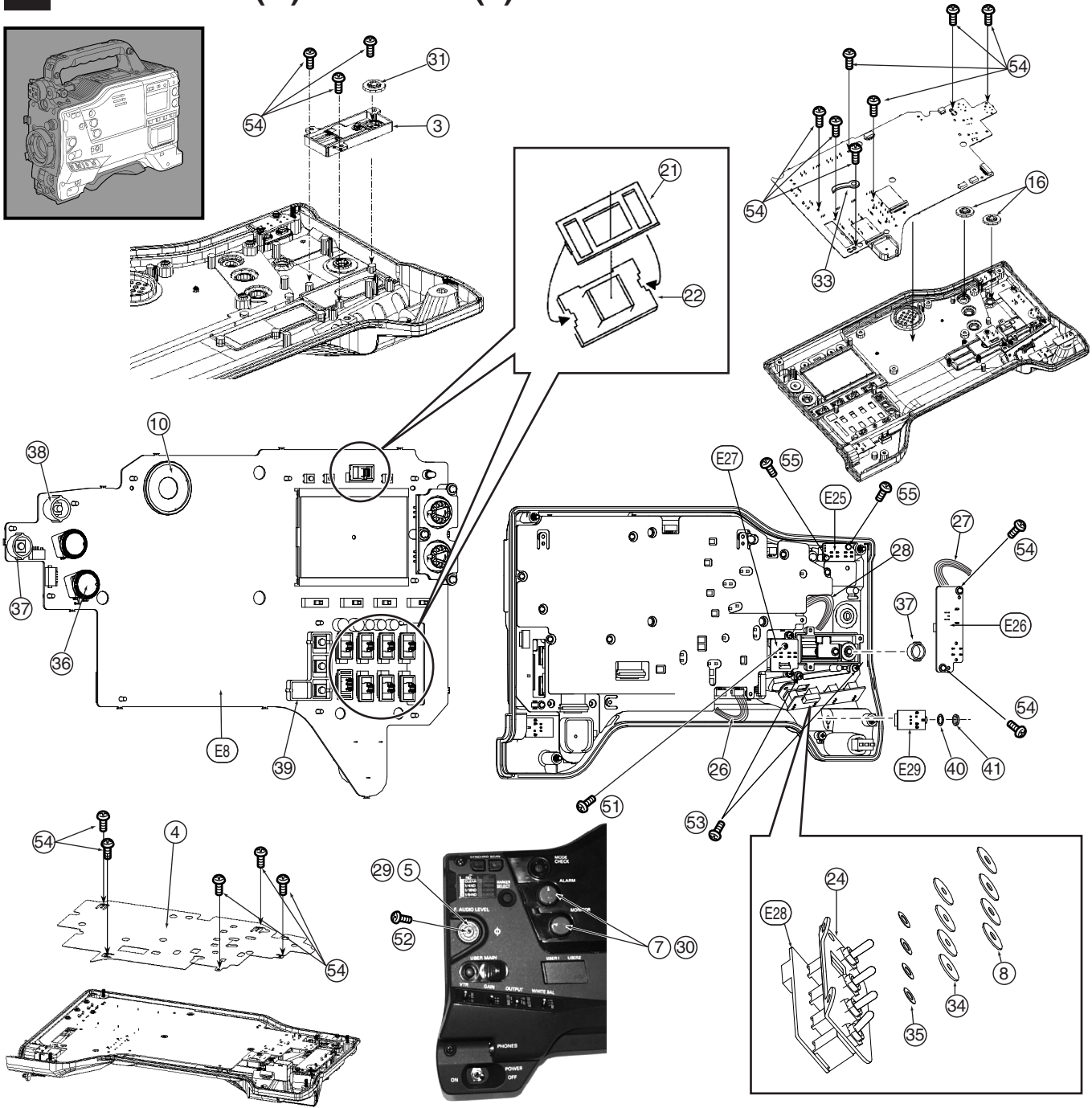
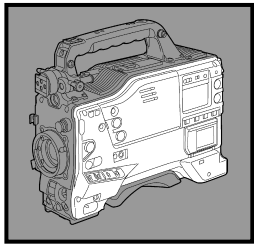


**E SIDE CASE (R) 1 ASS'Y**  
(Page PRT-7)

Ref.No.	Part No.	Part Name & Description	Pcs	Remarks
		L SIDE SECTION		
C-E21	VEP80D25A	L SIDE P.C. BOARD	1	
		SIDE CASE (R) SECTION (1)		
D-1	VST0076	TOGGLE SWITHC	1	KOE112G00013
D-2	VYP9037	SIDE CASE (R) 1 ASS'Y	1	
D-6	VGU9302	VR KNOB REAR	2	
D-9	VGU8585	OPERATION BUTTON	1	
D-11	VGQ7244	PHONE JACK COVER	1	
D-12	VMG1505	VG WATERPROOF RUBBER SHEET	2	
D-13	VMX3283	VR KNOB COLOUR	2	
D-14	VMP7602	REAR VR HOLDER ANGLE	1	
D-15	VMS7304	REAR VR POST	3	
D-17	VMT1433	WATERPROOF CUSHION	1	
D-18	VGH3361	VR NEME PLATE	2	
D-19	VMS7629	SPACER	2	

Ref.No.	Part No.	Part Name & Description	Pcs	Remarks
D-20	VMB3767	COIL SPRING	2	
D-23	VEE0W26	YEARPHONE CABLE	1	
D-25	VEE0W22	TOGGLE SW CABLE	1	
D-32	W2TU1014B-1M	TUBE	1	(1m)
D-41	VHN0194	NUT	1	
D-50	XYN2+J6FJK	SCREW	6	
D-E29	VEP80C64A	HP P.C. BOARD	1	

# D SIDE CASE (R) SECTION (2)

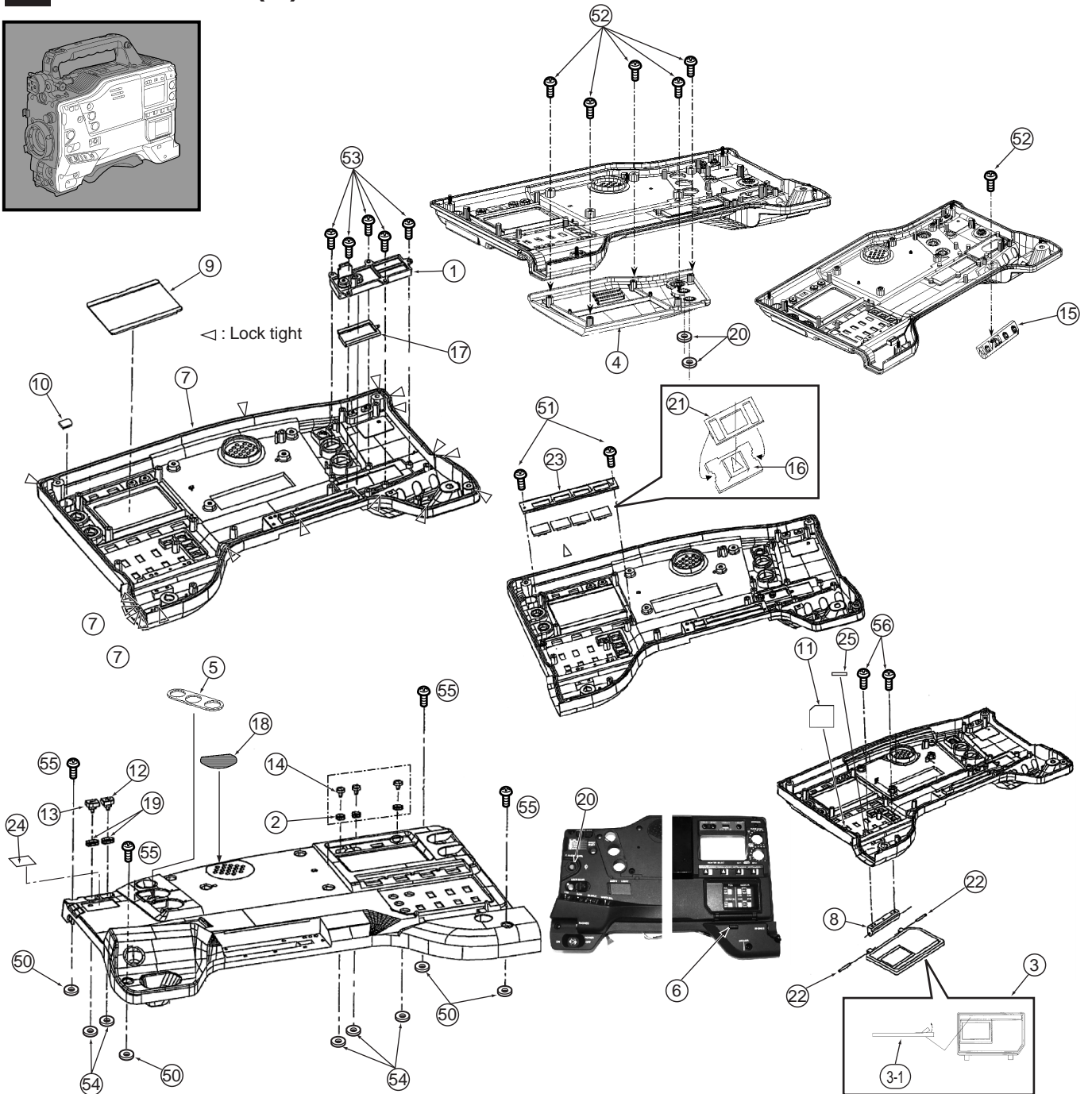
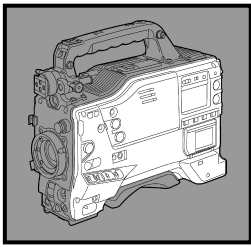


Ref.No.	Part No.	Part Name & Description	Pcs	Remarks
		SIDE CASE (R) SECTION (2)		
D-3	VYF2895	OPERATION PANEL (B) ASS'Y	1	
D-4	VMZ3410	LCD BARRIER	1	
D-5	VGU9301	VR KNOB FRONT	1	
D-7	VGU9303	VR KNOB	2	
D-8	VMG0646	WATERPROOF SHEET	4	
D-10	VEK8349	SPEAKER ASS'Y	1	
D-16	VGU8993	OPERATION BUTTON	2	
D-21	VMG1085	SLIDE SW WATERPROOF RUBBER	8	
D-22	VGU7688	SLIDE SW COVER (B)	8	
D-24	MMP7599	TOGGLE SW HOLDER ANGLE	1	
D-26	VEE0W25	FRONT HP CABLE	1	
D-27	VEE0W21	FRONT VR CABLE	1	
D-28	VEE0W24	USER SW CABLE	1	
D-29	VGH4653	VR NAME PLATE	1	
D-30	VGH4680	VR NAME PLATE	2	
D-31	VGU9304	OPERATION RUBBER BUTTON	1	
D-33	VJF1527	CLAMPER	1	
D-34	VMT1494	WATERPROOF CUSHION	4	

Ref.No.	Part No.	Part Name & Description	Pcs	Remarks
D-35	VMX1312	WASHER	4	
D-36	VMX3355	SPACER	1	
D-37	VGQ3417	PUSH BUTTON HOLDER A	2	
D-38	VGQ3418	PUSH BUTTON HOLDER B	1	
D-39	VGQ4723	RUBBER HOLDER COVER	1	
D-40	VMX0531	CLUCH SPACER	1	
D-41	VHN0194	NUT	1	
D-51	XTN26+6GFJ	SCREW	1	
D-52	XQN2+A2FJK	SCREW	1	
D-53	XYN26+J6FJ	SCREW	2	
D-54	XYN2+F6FJ	SCREW	17	
D-55	XYN2+C5FJ	SCREW	2	
D-E8	VEP84385E	AUDIO LCD P.C.BOARD	1	
D-E25	VEP80C59A	SYNCHRO P.C.BOARD	1	
D-E26	VEP80C60A	FR VR P.C.BOARD	1	
D-E27	VEP80C61A	USER P.C.BOARD	1	
D-E28	VEP80C62A	TOGGLE P.C.BOARD	1	
D-E29	VEP80C64A	HP P.C.BOARD	1	

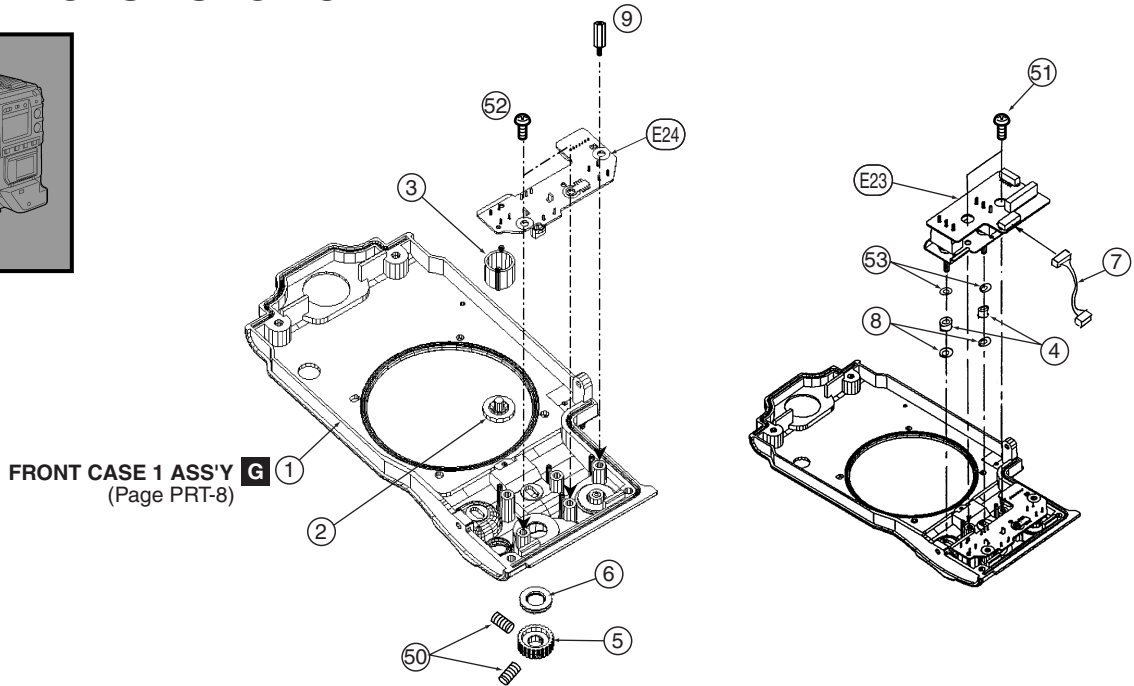
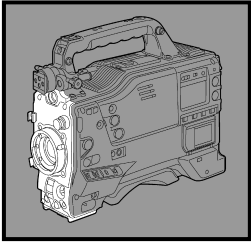


# E SIDE CASE (R) 1 ASSEMBLY



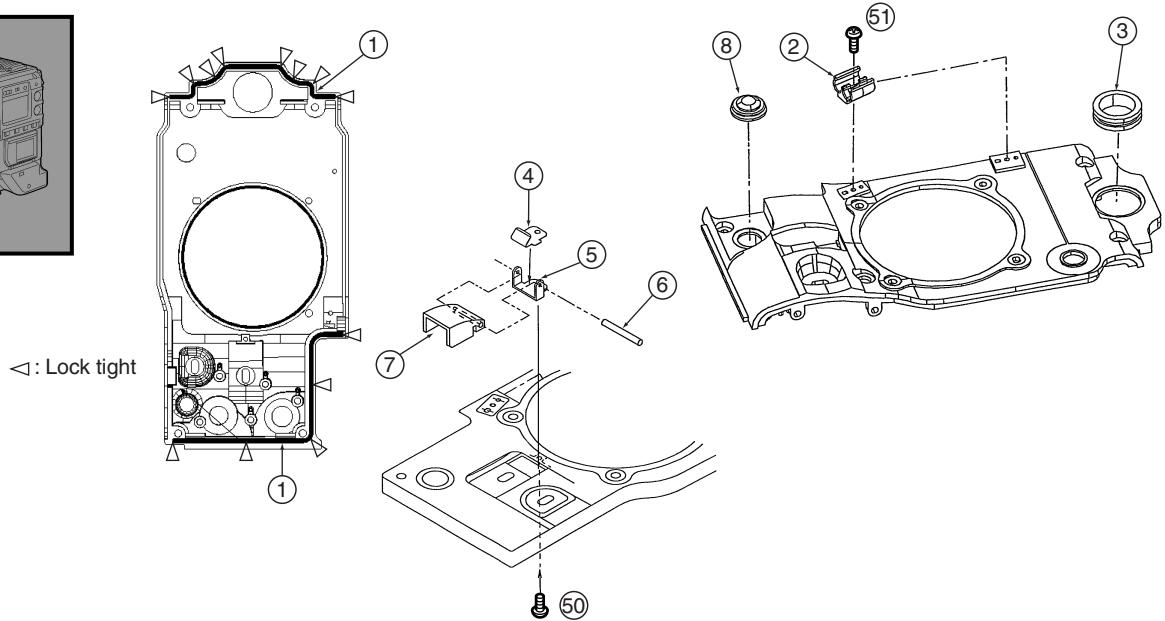
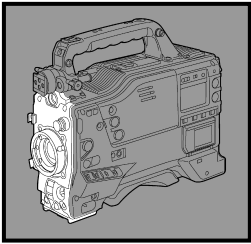
Ref.No.	Part No.	Part Name & Description	Pcs	Remarks	Ref.No.	Part No.	Part Name & Description	Pcs	Remarks
		SIDE CASE (R)1 ASS'Y(1) (VYF9037)							
E-1	VYP8684	OPERATION PANEL ASSEMBLY	1		E-16	VGU8130	SLIDE SW COBER (A)	4	
E-2	VMG1418	WATERPROOF RUBBER (B)	3		E-17	VKF2818	SLIDE DOOR	1	
E-3	VYF2880	OPERATION DOOR ASS'Y	1		E-18	VKN0149	SPEAKER NET	1	
E-3-1	VSQ1050	RUBBER MAGNET	1		E-19	VMG1092	WATERPROOF RUBBER	2	
E-4	VMT1426	FACE PAD	1		E-20	VMG1096	VR WATERPROOF RUBBER	3	
E-5	VMT1427	WATERPROOF SHEET	1		E-21	VMG1195	SLIDE SW RUBBER (A)	4	
E-6	VMG1506	DOOR CUSHION	1		E-22	VMS5505	PIN	2	
E-7	VMG0832	TUBE	1 (1m)		E-23	VMP5578	LSLIDE SW HOLDER ANGLE	1	
E-8	VDB1717	DOOR HINGE (B)	1		E-24	VGH4295	FILTER NAME PLATE	1	
E-9	VKW2683	DISPLAY WINDOW	1		E-25	VMT0809	CUSHION (C)	1	
E-10	VGL1039	LED BACK LIGHT	1						
E-11	VGL0512	LED BACK LIGHT	1		E-50	VMX3348	WASHER	4	
E-12	VGU7696	SHUTTER BUTTON (+)	1		E-51	XYN3+C6FJ	SCREW	2	
E-13	VGU7697	SHUTTER BUTTON (-)	1		E-52	XTN3+6GFJ	SCREW	6	
E-14	VGU7698	OPERATION BUTTON	3		E-53	XSB26+5FJ	SCREW	5	
E-15	VGK2886	TOGGLE SW PLATE	1		E-54	VMX3284	WASHER	5	
					E-55	XSB3+10VJK	SCREW	4	
					E-56	XYN26+J6FJ	SCREW	2	

# F FRONT CASE SECTION



FRONT CASE 1 ASS'Y **G** ①  
(Page PRT-8)

# G FRONT CASE 1 ASSEMBLY

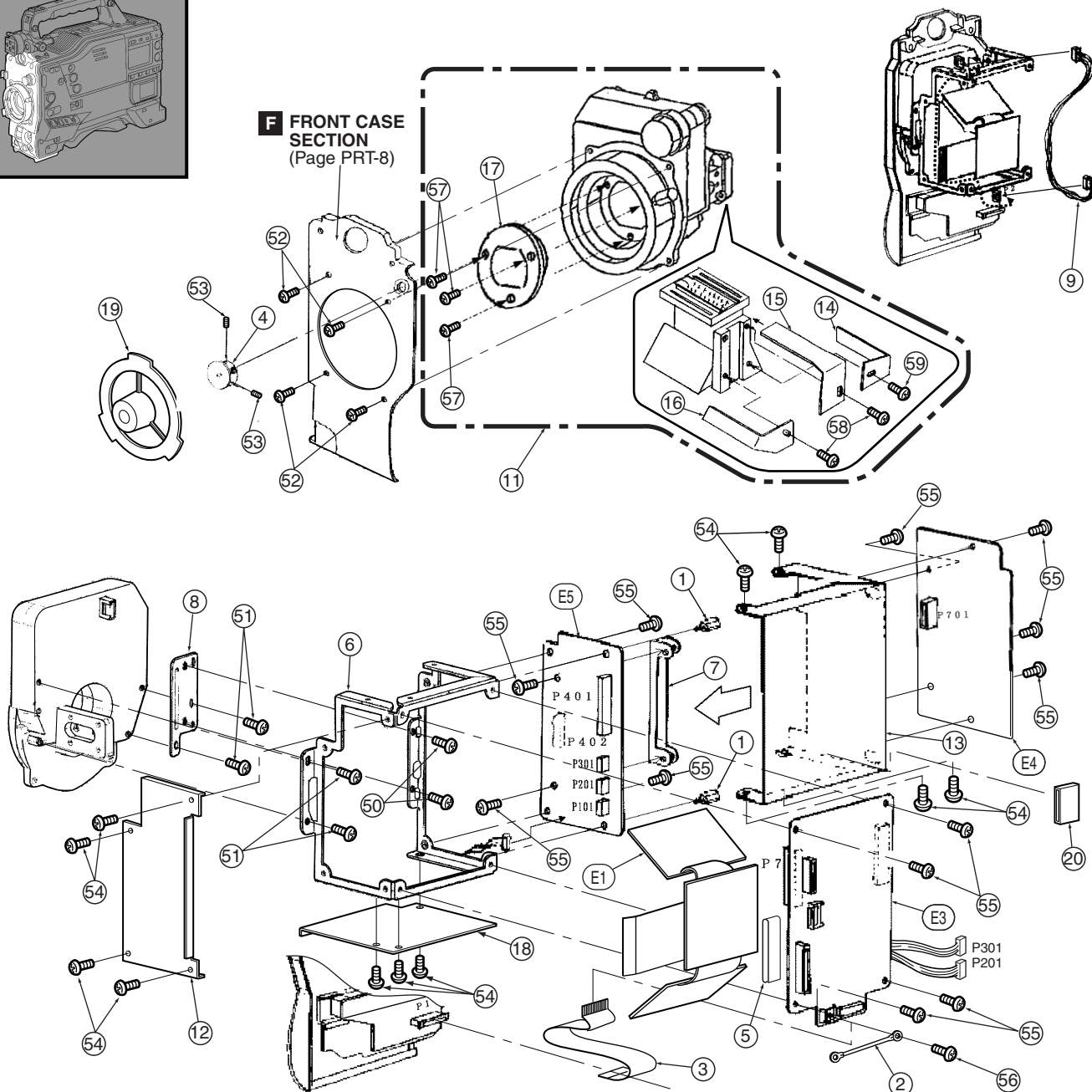
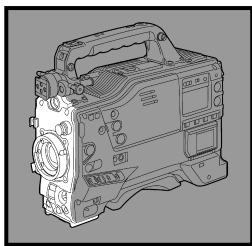


◁: Lock tight

Ref.No.	Part No.	Part Name & Description	Pcs	Remarks
		FRONT CASE SECTION		
F-1	VYK1R08	FRONT CASE 1 ASS'Y	1	
F-2	VGU9299	MENU BUTTON	1	
F-3	VGQ7131	BUTTON HOLDER PLATE	1	
F-4	VMT1432	WATERPROOF CUSHION	2	
F-5	VGU9861	MENU KNOB	1	
F-6	VMG1317	MENU WATERPROOF RUBBER	1	
F-7	VEE0W38	FRONT JOG CABLE	1	
F-8	VMG1140	RAIN COVER SPONGE	2	
F-9	VMX3298	POST (2.65Q-13)	1	
F-50	XXE2W4FP	SCREW	2	
F-51	XYN3+C6FJ	SCREW	2	
F-52	XYN26+J6FJ	SCREW	2	
F-53	VMX1312	WASHER	2	
F-E23	VEP80C57A	FRONT SW P.C.BOARD	1	
F-E24	VEP80C58A	MENU SW P.C.BOARD	1	

Ref.No.	Part No.	Part Name & Description	Pcs	Remarks
		FRONT CASE ASS'Y (VYK1R08)		
G-1	VMG0832	TUBE	1	(1m)
G-2	VJF1256	CABLE CLAMPER	2	
G-3	VMG0948	EVF RUBBER SHIELD	1	
G-4	VMC1210	FRONT DOOR PLATE SPRING	1	
G-5	VMP4850	FRONT DOOR ANGLE	1	
G-6	VMS4088	FRONT DOOR ANGLE PIN	1	
G-7	VKF2485	FRONT DOOR	1	
G-8	VXU1620	RUBBER BUTTON ASS'Y	1	
G-50	XYN2+C4FJ	SCREW	1	
G-51	XSB2+4FJK	SCREW	2	

# H CAMERA ASSEMBLY (1)

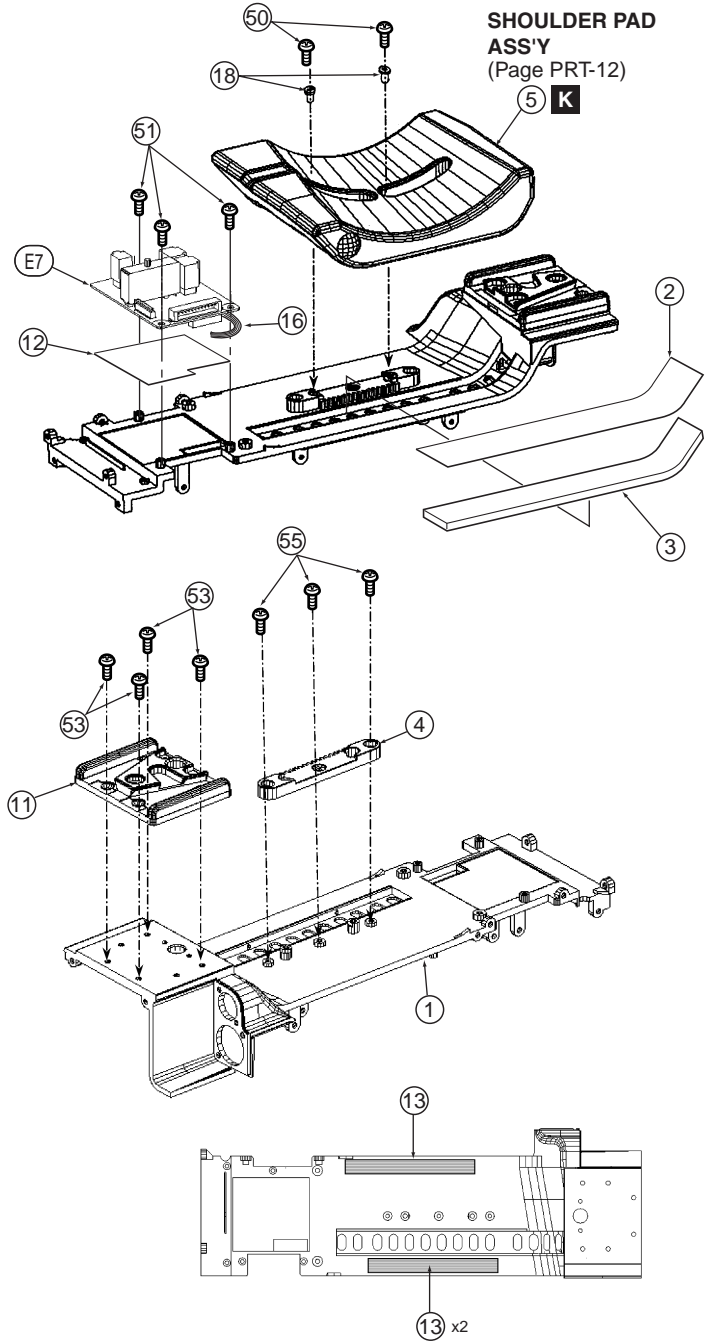
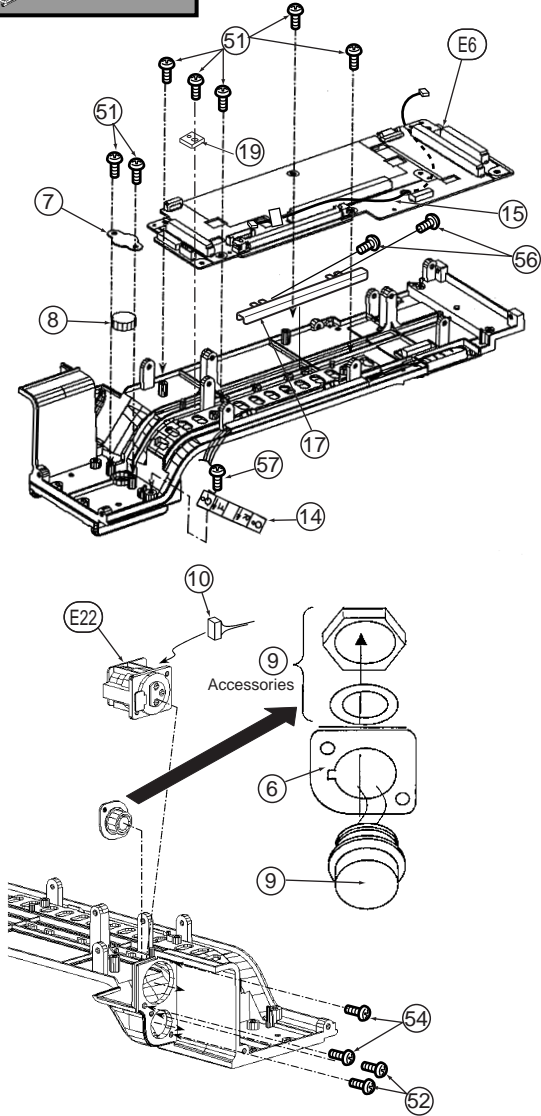
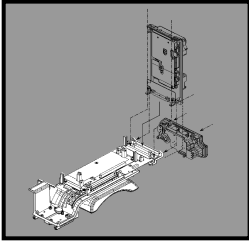


Ref.No.	Part No.	Part Name & Description	Pcs	Remarks
		CAMERA ASS'Y (VEQ4494/VEQ4498)		
H-1	K9ZZ00001016	POST	2	
H-2	VEE1A52	ND/CC FILTER CABLE ASS'Y	1	
H-3	VEE0X28	EARTH CABLE	1	
H-4	VGU9860	FILTER KNOB (ND)	1	
H-5	VMZ3481	CCD FLEXIBLE BARRIER	1	
H-6	VMP7585	P.C.BOARD HOLDER ANGLE	1	
H-7	VMP7586	P.C.BOARD HOLDER ANGLE	1	
H-8	VMP8188	OPTICAL ATTACHMENT PLATE	1	
H-9	VMJ14SW075L0	FLEX. CABLE	1	FRONT-PULSE
H-11	VYQ3265	HEAD OPTICAL ASS'Y	1	FOR AJ-SDC615P
H-11	VYQ3225	HEAD OPTICAL ASS'Y	1	FOR AJ-SDC615E/D615MC
H-12	VSC5661	OPTICAL SHIELD PLATE (RIGHT)	1	
H-13	VSC5634	SHIELD CASE (PULSE)	1	
H-14	VMA0E35	HEAT SINK (R)	1	
H-15	VMA0E36	HEAT SINK (G)	1	
H-16	VMA0E37	HEAT SINK (B)	1	
H-17	VXQ1281	LFP ASS'Y	1	

Ref.No.	Part No.	Part Name & Description	Pcs	Remarks
H-18	VSC5662	OPTICAL SHIELD PLATE (BOTTOM)	1	
H-19	VKF2997	LENS CAP	1	
H-20	JOKD00000070	FERRITE CORE	1	
H-50	XQN2+B25FJ	SCREW	2	
H-51	XQN2+C6FJK	SCREW	4	
H-52	XSB3+6FJK	SCREW	4	
H-53	XXE26W3FP	HEX SCREW	2	
H-54	XYN26+C4FJ	SCREW	11	
H-55	XYN26+J6FJ	SCREW	12	
H-56	XYN3+J6FJ	SCREW	1	
H-57	XQS2+A4FJK	SCREW	3	
H-58	XSB26+4FJ	SCREW	2	
H-59	XYN26+F6FJ	SCREW	1	
H-E1	VEP20A88B	CCD SENSOR P.C.BOARD	1	
H-E3	VEP20A89B	PULSE P.C.BOARD	1	FOR AJ-SDC615P
H-E3	VEP20A89D	PULSE P.C.BOARD	1	FOR AJ-SDC615E/D615MC
H-E4	VEP23610A	PRE PROCESS P.C.BOARD	1	
H-E5	VEP25122E	PRE AMP P.C.BOARD	1	



# J BOTTOM CASE SECTION

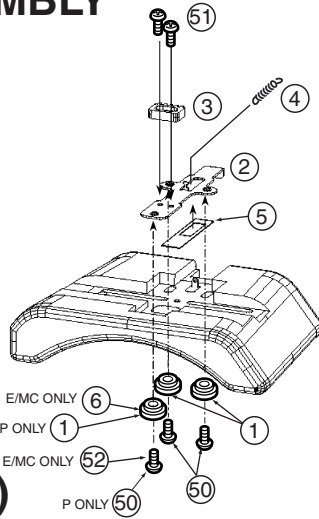
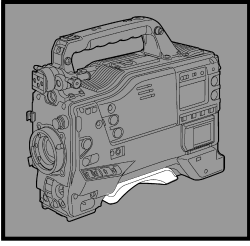


Ref.No.	Part No.	Part Name & Description	Pcs	Remarks
		BOTTOM CASE SECTION		
J-1	VGM1951	BOTTOM CASE	1	
J-2	VKN0170	BOTTOM NET	1	
J-3	VMT1425	BUTTON CUSHION	1	
J-4	VGQ7172	BOTTOM LOCK PIECE	1	
J-5	VYQ2612	SHOULDER PAD ASS'Y	1	FOR AJ-SDC615P
J-5	VYQ3322	SHOULDER PAD ASS'Y	1	FOR AJ-SDC615E/D615MC
J-6	VMP4853	LENS CONNECTOR ANGLE	1	
J-7	VGFO964	FRONT FOOT GUARD	1	
J-8	VMT1430	FRONT FOOT CUSHION	1	
J-9	VEE0W19	LENS CONNECTOR ASS'Y	1	
J-10	VEE0W20	FRONT MIC CABLE	1	
J-11	VYQ2306	FOOT BASE	1	
J-12	VMZ3360	REAR AUDIO INSULATION SHEET	1	
J-13	VMX3351	SPACE SHEET	3	
J-14	VKC0560	HINGE	1	
J-15	KITZB9A00030	SDI CABLE	1	
J-16	VEE0W16	POWER CABLE	1	
J-17	VMP7617	POWER CABLE COVER	1	

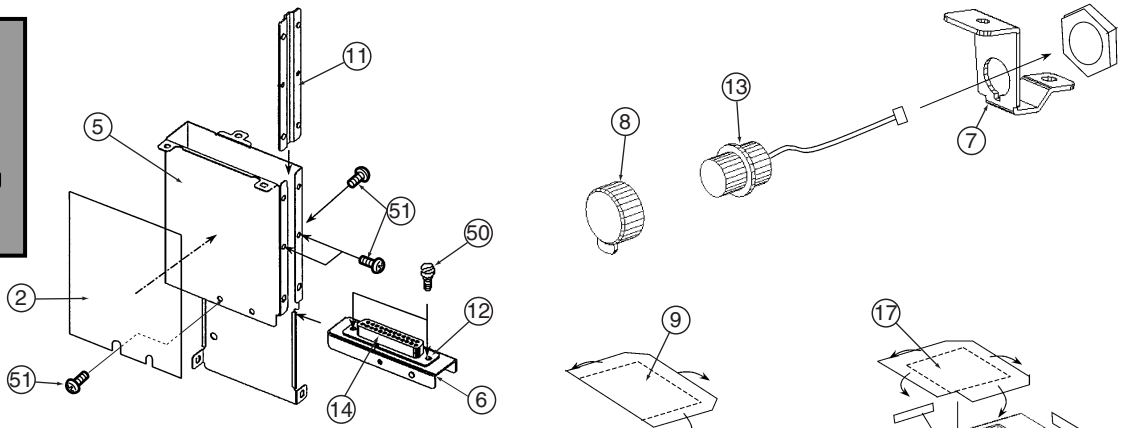
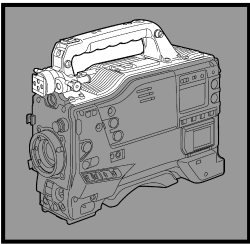
Ref.No.	Part No.	Part Name & Description	Pcs	Remarks
J-18	VMK3354	BUSH	2	
J-19	VMP7751	P.C.B. MOUNT ANGLE	1	
J-50	XSB3+8FJK	SCREW	2	
J-51	XYN26+J6FJ	SCREW	10	
J-52	XSN26+8FJK	SCREW	2	
J-53	XSS3+8FJK	SCREW	4	
J-54	XTN26+8FJK	SCREW	2	
J-55	XSB26+5FJ	SCREW	3	
J-56	XQN2+A3FJ	SCREW	2	
J-57	VHD1774	SCREW	1	
J-E6	VEP89140C	MOTHER P.C. BOARD	1	
J-E7	VEP84386B	REAR AUDIO P.C. BOARD	1	
J-E22	VEP80C54A	FRONT MIC P.C. BOARD	1	



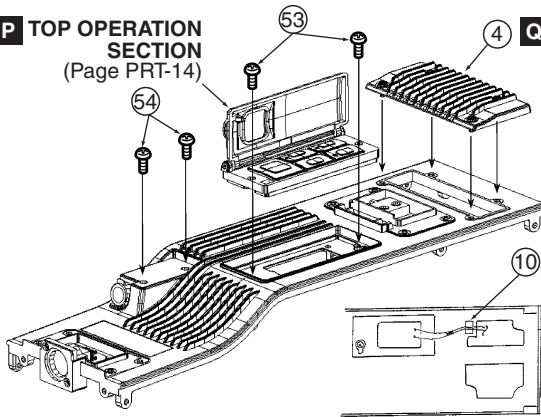
# K SHOULDER PAD ASSEMBLY



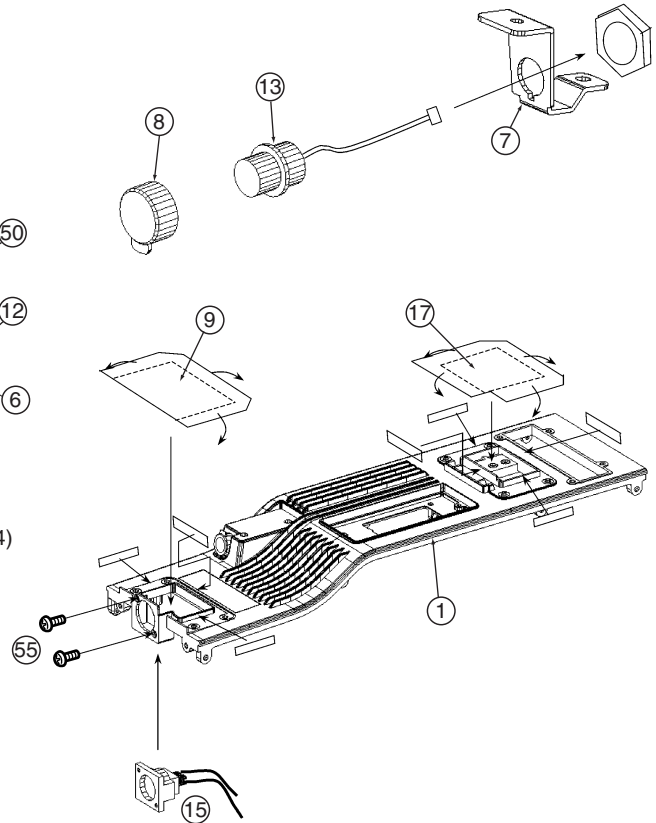
# L TOP CASE SECTION (1)



# P TOP OPERATION SECTION (Page PRT-14)



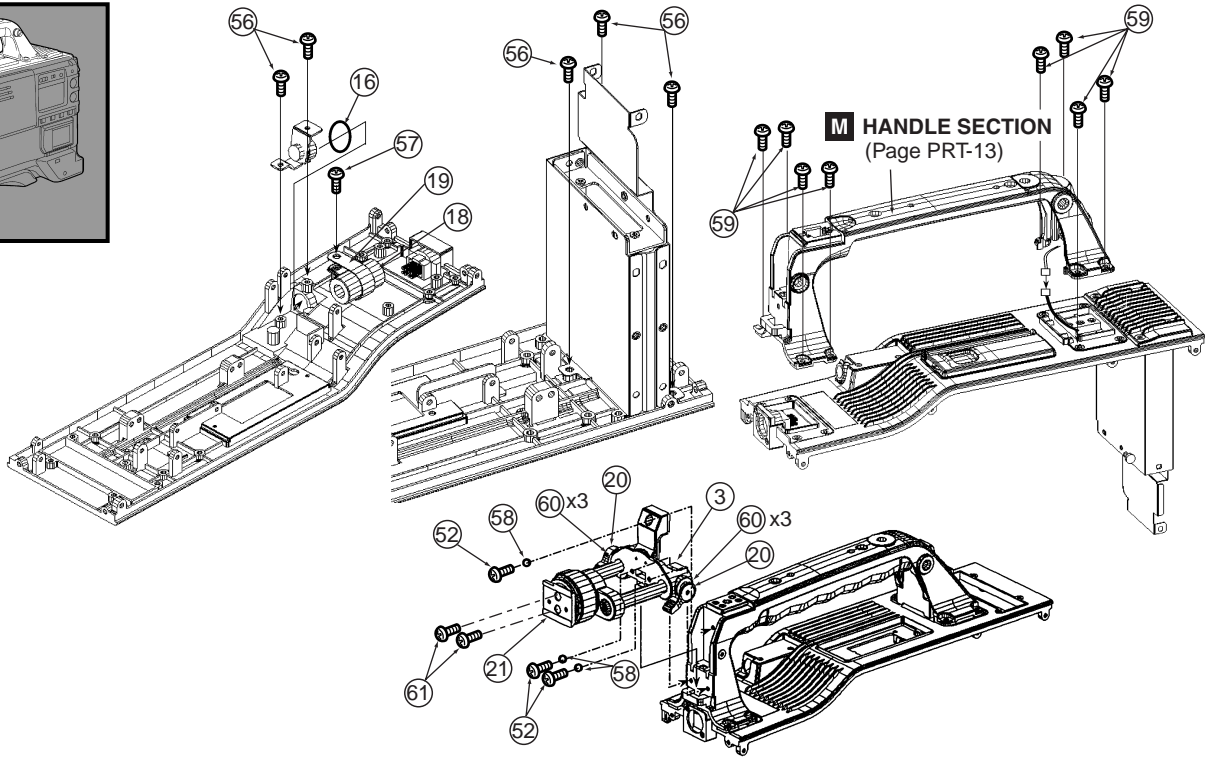
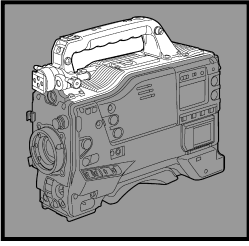
# Q RECEIVER COVER ASS'Y (Page PRT-14)



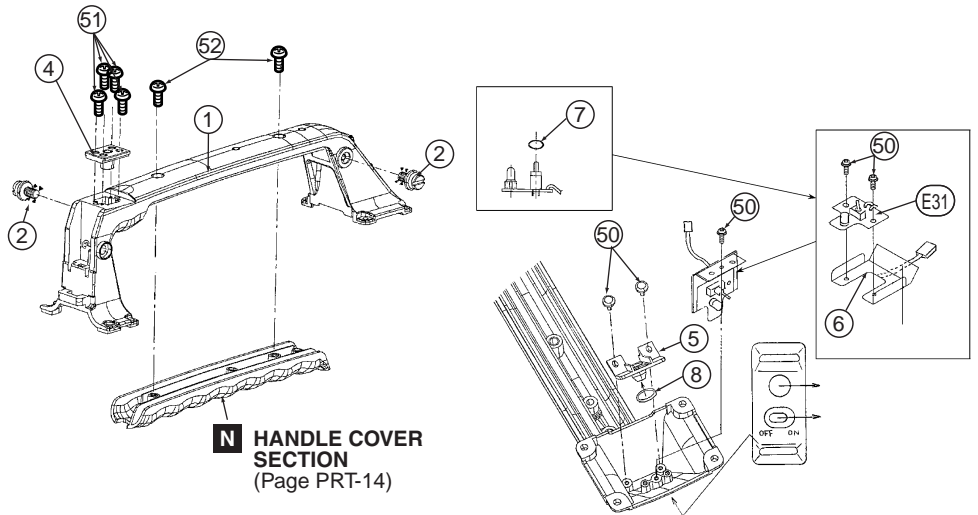
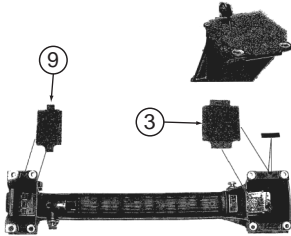
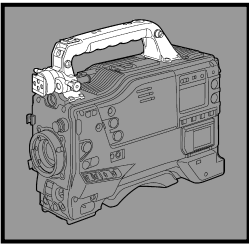
Ref.No.	Part No.	Part Name & Description	Pcs	Remarks
		SHOULDER PAD ASS'Y (VYQ3322/VYQ2612)		
K-1	VMK3354	BUSH	3	AJ-SDC615E/D615MC:PCS 2
K-2	VML3912	SHOULDER SLIDE LEVER	1	
K-3	VGQ7173	SHOULDER LOCK PIECE	1	
K-4	VMB3750	SHOULDER RELEASE SPRING	1	
K-5	VMK3296	SLIDE SHEET	1	
K-6	VMK3438	BUSH	1	FOR AJ-SDC615E/D615MC
K-50	XSB3+8FJK	SCREW	3	AJ-SDC615E/D615MC:PCS 2
K-51	XYN26+J5FJ	SCREW	2	
K-52	XSS3+6FJK	SCREW	1	FOR AJ-SDC615E/D615MC
		TOP CASE SECTION (1)		
L-1	VGM2070	TOP CASE	1	
L-2	VM23378	SHIELD SHEET	1	
L-4	VYF2894	RECEIVER COVER ASS'Y	1	

Ref.No.	Part No.	Part Name & Description	Pcs	Remarks
L-5	VMP7898	RECEIVER BOX (A)	1	
L-6	VMP7589	RECEIVER BOX (B)	1	
L-7	VMP7590	GPS CONNECTOR HOLDER ANGLE	1	
L-8	VMG1508	RUBBER CAP	1	
L-9	VKN0150	NET (FRONT)	1	
L-10	VJF0909	CABLE CLAMPER	1	
L-11	VMP6778	RECEIVER BOX (C)	1	
L-12	VMT1265	CUSHION	1	
L-13	VEE0W17	GPS CONNECTOR ASS'Y	1	
L-14	VEE0W28	WIRELESS CONNECTOR ASS'Y	1	
L-15	VEE0W43	EVF CONNECTOR ASS'Y	1	
L-17	VKN0171	NET (REAR)	1	
L-50	VHD1462	SCREW	2	
L-51	XYN26+C4FJ	SCREW	4	
L-53	XSN2+6FJK	SCREW	2	
L-54	XSB4+6FJK	SCREW	2	
L-55	XSS2+4FJK	SCREW	2	

# L TOP CASE SECTION (2)



# M HANDLE SECTION



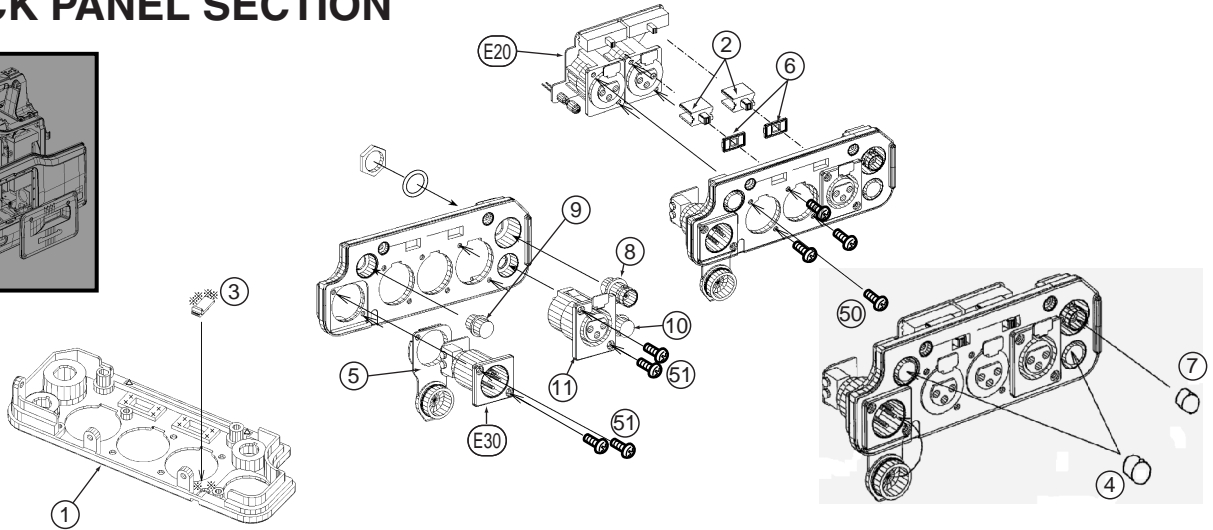
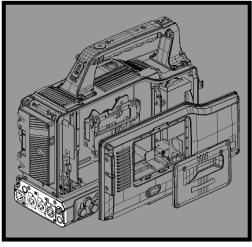
Ref.No.	Part No.	Part Name & Description	Pcs	Remarks
		TOP CASE SECTION (2)		
L-3	VYQ3498	SLIDER ASS'Y	1	
L-16	VMG1530	O-LING	1	
L-18	VLP0186	FERRITE CORE	1	J0KE0000027
L-19	VJF0980	CLAMPER	1	
L-20	VGU9401	SHAFT LOCK LEVER	2	
L-21	VGM2031	VF BASE	1	
L-52	VHD1793	SCREW	3	
L-56	XYN3+C4FJ	SCREW	5	
L-57	XYN3+F8FJ	SCREW	1	
L-58	XWA3BFJK	WASHER	3	
L-59	XSB3+8FJK	SCREW	8	
L-60	XXE26W4FP	HEX SCREW	6	
L-61	XVE4A25VW	HEX SCREW	2	

Ref.No.	Part No.	Part Name & Description	Pcs	Remarks
		HANDLE SECTION		
M-1	VKH0416	HANDLE	1	
M-2	VMS4284	BELT HOOK PIN	2	
M-3	VMT1422	DUSTPROOF FILTER (REAR)	1	
M-4	VJF1319	SHOE	1	
M-5	VGL0783	TALLY COVER	1	
M-6	VMP5585	P.C. BOARD ANGLE	1	
M-7	VMG0955	P4 O-RING	1	
M-8	VMG0956	P8 O-RING	1	
M-9	VYQ2029	DUSTPROOF CUSHION F ASS'Y	1	
M-50	XYN2+F5FJ	SCREW	5	
M-51	XSN2+6FJK	SCREW	4	
M-52	XSB3+12FJK	SCREW	2	
M-E31	VEP80A74D	BACK TALLY P.C.BOARD	1	

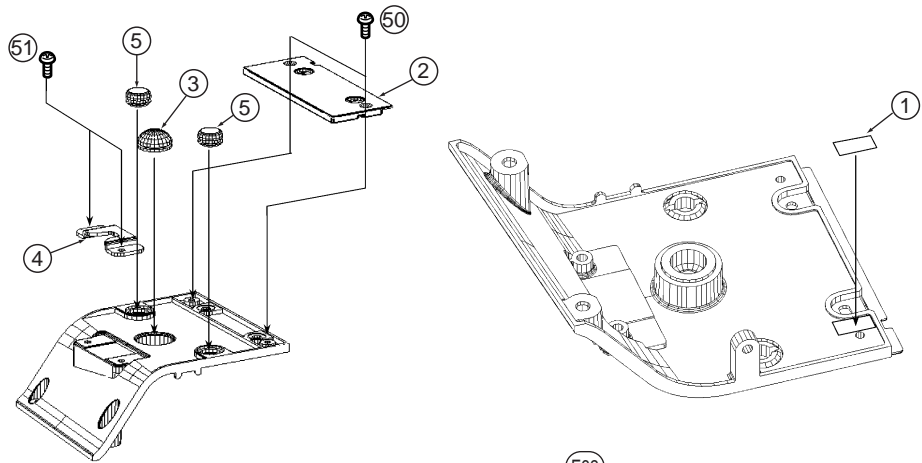
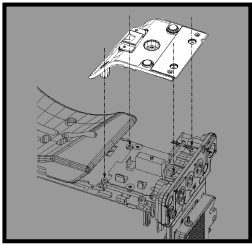




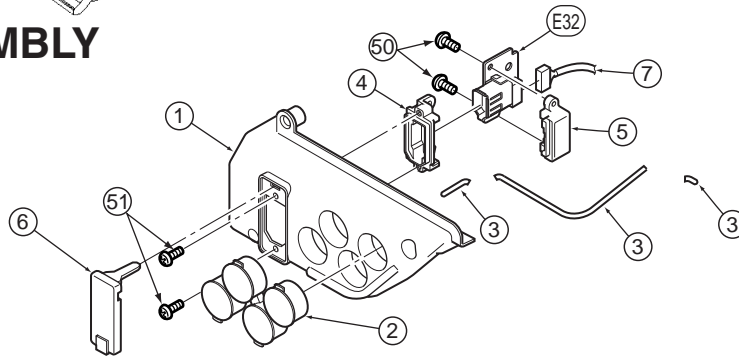
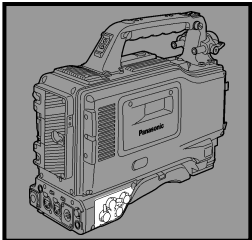
## S JACK PANEL SECTION



## T BOTTOM COVER ASSEMBLY



## U SIDE JACK ASSEMBLY




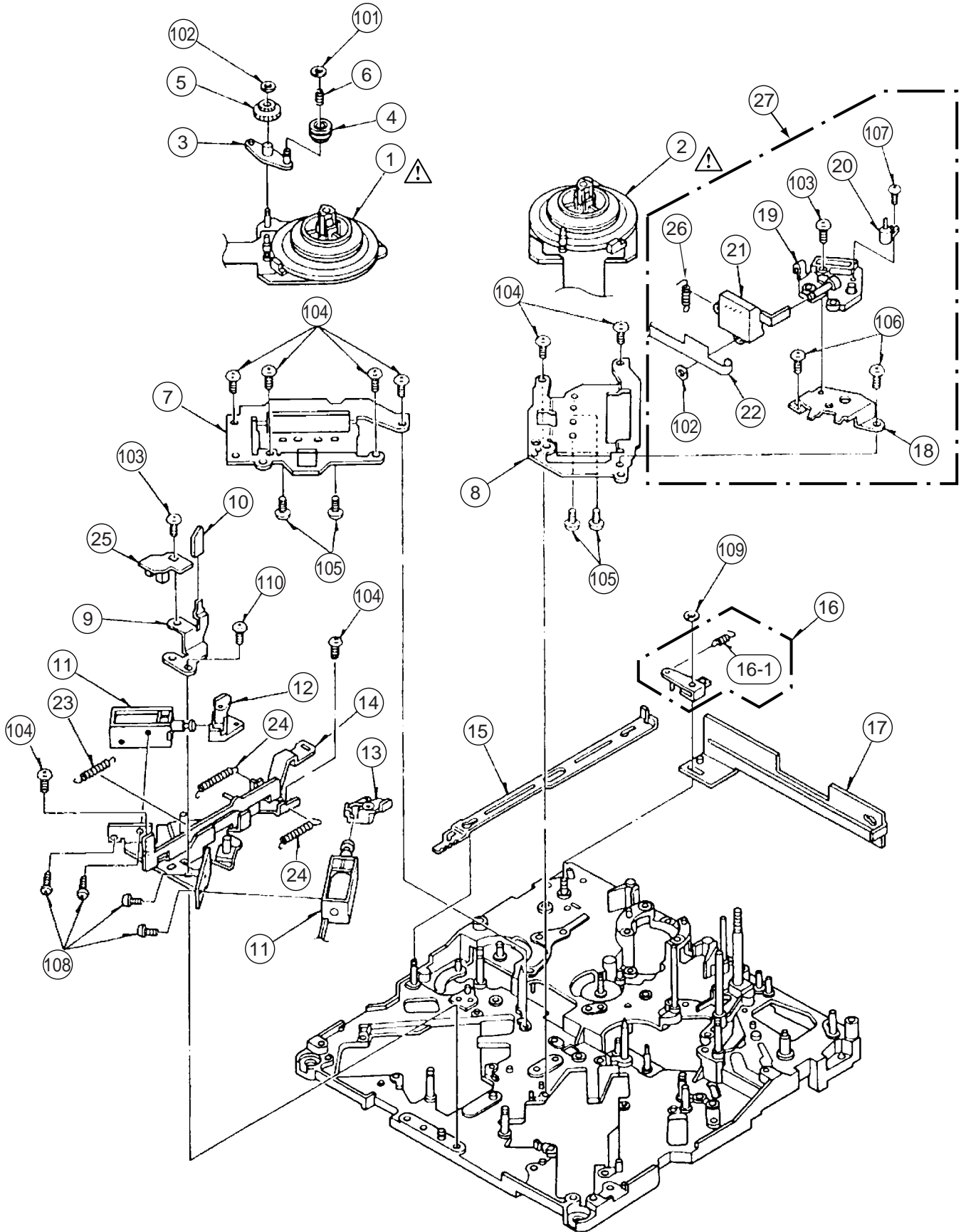
Ref.No.	Part No.	Part Name & Description	Pcs	Remarks
		JACK PANEL SECTION		
S-1	VGM1952	REAR JACK PANEL	1	
S-2	VGU9300	SLIDE SW KNOB	2	
S-3	VGL1038	BOTTOM TALLY COVER	1	
S-4	VMG1508	RUBBER CAP	2	
S-5	VMG1511	RUBBER CAP (C)	1	
S-6	VMG1085	RAIN COVER RUBBER	2	
S-7	VMG1523	BNC RUBBER CAP	1	
S-8	VJS4132	CONNECTOR (FEMALE)	1	K1SMBDBA0001 FOR VIDEO OUT
S-9	VEE0W29	DC OUT CONNECTOR ASS'Y	1	
S-10	VEE0W30	ECU CONNECTOR ASS'Y	1	
S-11	VEE0W33	AUDIO OUT CONNECTOR ASS'Y	1	
S-50	XSN26+6FJK	SCREW	4	
S-51	XSN26+6FC	SCREW	4	
S-E20	VEP80C52A	REAR JACK P.C.BOARD	1	
S-E30	VEP80C71A	EXT DC P.C.BOARD	1	
		BOTTOM COVER ASS'Y (VYK0P58)		
T-1	VMT1442	LED CUSHION	1	

Ref.No.	Part No.	Part Name & Description	Pcs	Remarks
T-2	VGQ7132	BOTTOM PROTECT PLATE	1	
T-3	VMG1417	BRAKER CAP	1	
T-4	VMP6370	BACK LOCK ANGLE	1	
T-5	VMG0954	REAR FOOT	2	
T-50	XSS26+6FJK	SCREW	2	
T-51	XSB3+6FJK	SCREW	2	
		SIDE JACK ASS'Y		
U-1	VGM2131	SIDE JACK CASE	1	
U-2	VMG1654	RUBBER CAP (A)	1	
U-3	VMG0832	SHIELD TUBE	1 (1m)	
U-4	VJF1490	CONNECTOR HOLDER A	1	
U-5	VJF1491	CONNECTOR HOLDER B	1	
U-6	VMG1635	1394 CONNECTOR CAP	1	
U-7	VEE1B45	IEE1394 CABLE	1	
U-50	XYN2+J6FJ	SCREW	2	
U-51	XSB2+6FJK	SCREW	2	
U-E32	VEP80D15A	1394 CNT P.C.BOARD	1	



# MECHANICAL CHASSIS ASSEMBLY (1)

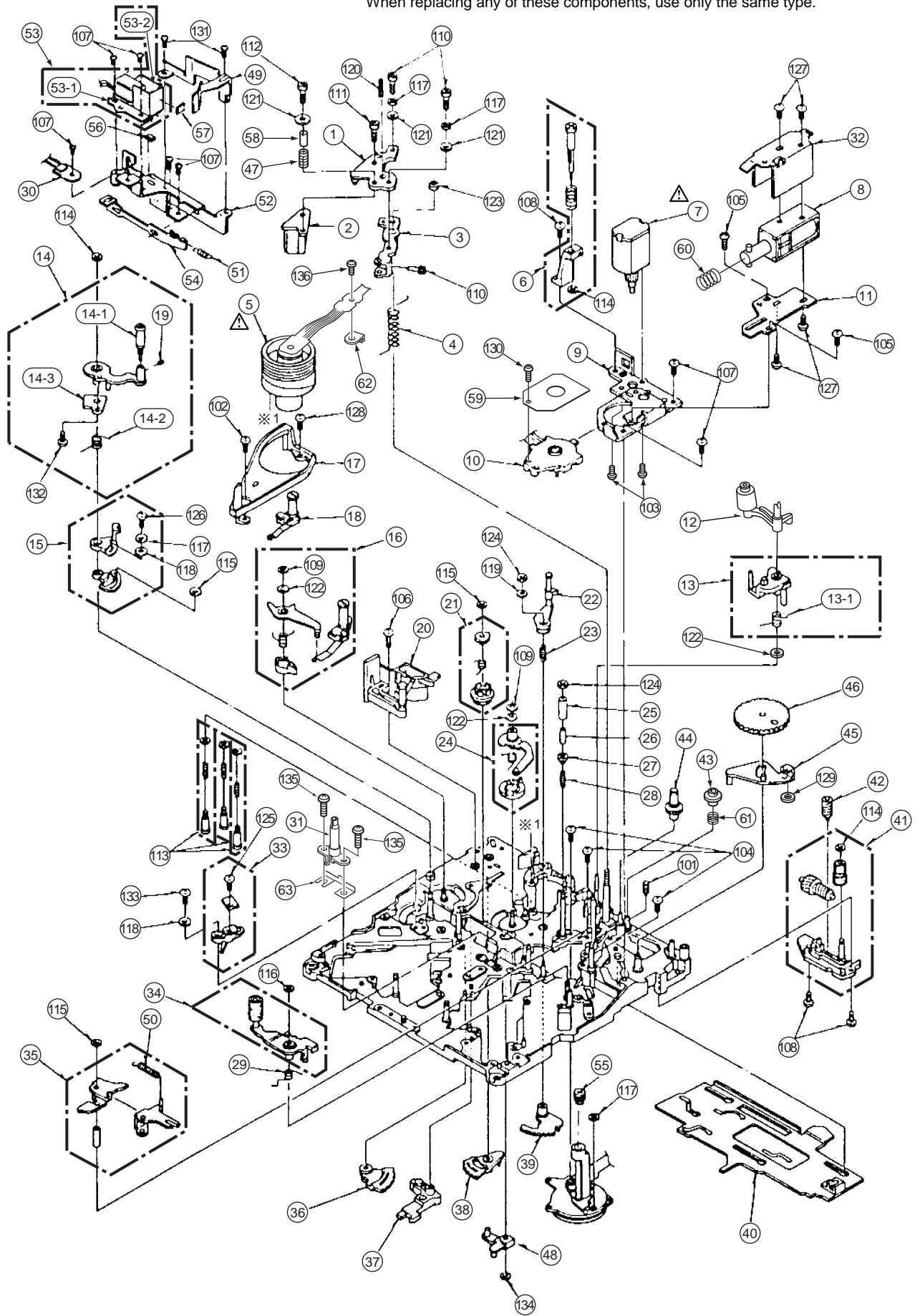
Components identified with the mark  have the special characteristics for safety. When replacing any of these components, use only the same type.





# MECHANICAL CHASSIS ASSEMBLY (2)

Components identified with the mark  $\triangle$  have the special characteristics for safety. When replacing any of these components, use only the same type.



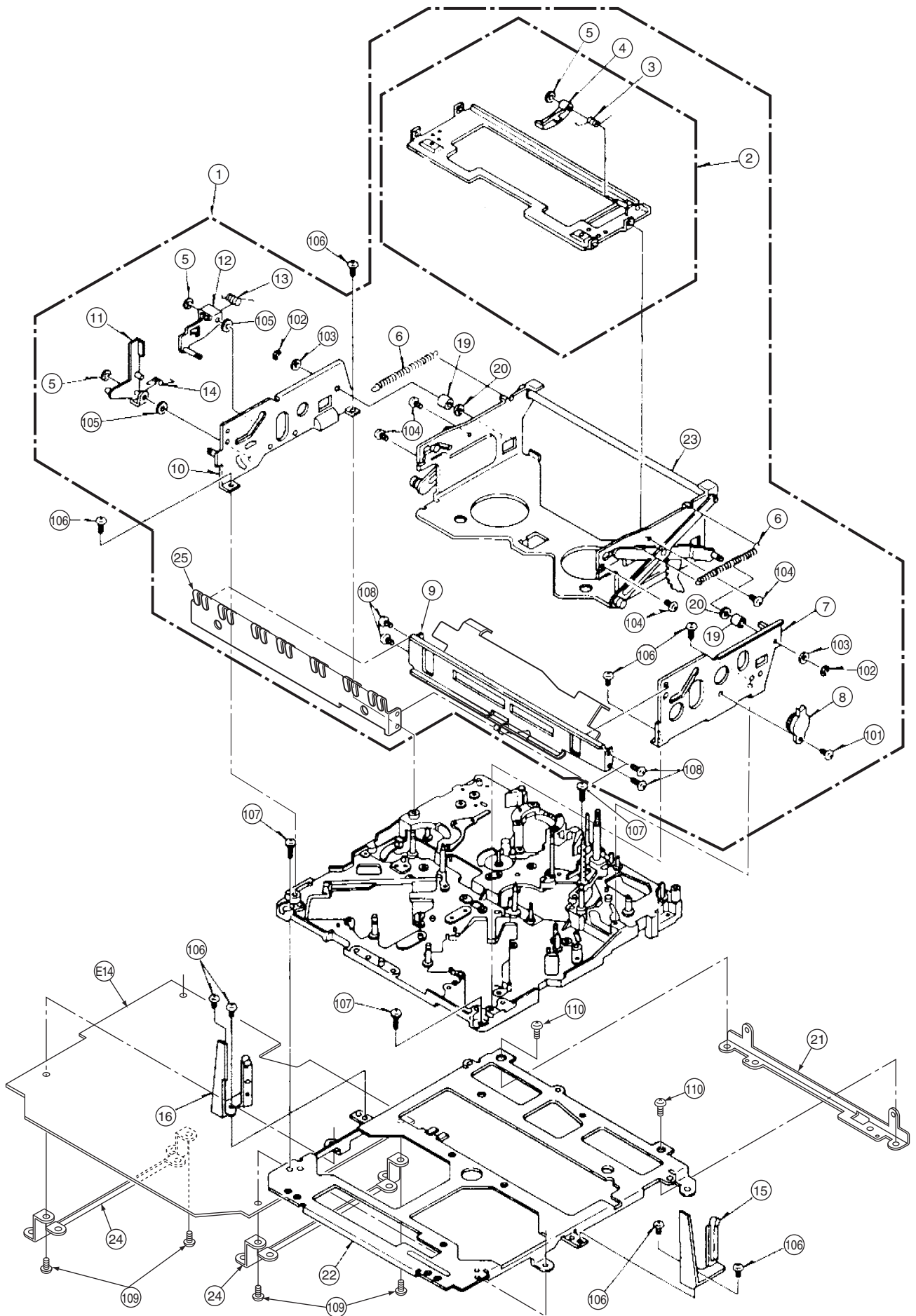
# MECHANICAL CHASSIS ASSEMBLY (2)

Components identified with the mark  $\Delta$  have the special characteristics for safety. When replacing any of these components, use only the same type.

Ref.No.	Part No.	Part Name & Description	Pcs	Remarks
1	VXA5554	A/C HEAD BASE (1) ASS'Y	1	
2	VED0519	A/C HEAD	1 (M)	
3	VXA6067	A/C HEAD BASE (2) ASS'Y	1	
4	VMB2935	A/C HEAD HIGHT SPRING	1	
$\Delta$ 5	VEG1498	CYLINDER UNIT	1 (M)	
6	VXA5715C	EMARGENCY SHAFT HOLDER ASS'Y	1	
$\Delta$ 7	VEM0645C	LOADING MOTOR (1) ASS'Y	1 (M)	
8	L9AABBB0007	PINCH SOLENOID	1 (M)	
9	VXA5584C	MOTOR ANGLE ASS'Y	1	
10	VES0918C	MODE SW ASS'Y	1 (M)	
11	VMA0A35	PINCH SOLENOID BASE	1	
12	VXL3027C	CLEANING ARM ASS'Y	1 (M)	
13	VXL2870C	T2 ARM ASS'Y	1	
13-1	VMB3304	T2 ARM SPRING	1	
14	VXL3274	TENSION ARM A ASS'Y	1 (M)	
14-1	VXP1866	TENSION ROLLER	1	
14-2	VMB3220	TENSION LEG SPRING	1	
14-3	VXA6173	MAGNET HOLDER ASS'Y	1	
15	VXA7703C	TENSION REG. SPRING HOOK	1	
16	VXL3273C	S1 LOADING ARM ASS'Y	1 (M)	
17	VMD3731	LOADING RAIL	1	
18	VXA8122	T1 BOAT ASS'Y	1 (M)	
19	VHD0561	HEX SCREW	1	
20	VXA7361	S5 POST BASE A ASS'Y	1 (M)	
21	VXP1683C	T4 CONNECTION GEAR ASS'Y	1	
22	VXL2772	T4 ARM ASS'Y	1	
23	VMB2950	T4 THRUST SPRING	1	
24	VXL3278C	T LOADING ARM ASS'Y	1	
25	VMS5906	T3 UPPER FRANGE	1	
26	VMS5905	T3 SLEEVE	1	
27	VMS5904	T3 LOWER FRANGE	1	
28	VMB2929	T3 SPRING	1	
29	VMB2933	PINCH RELEASE SPRING	1	
30	L2BB0000001	INSULLATION SENSOR	1	
31	VEK0H98C	LED HOLDER P.C.BOARD	1	
32	VMA0722	PINCH SOLENOID ANGLE	1	
33	VXA5820C	TENSION SENSOR ASS'Y	1	
34	VXL2835C	PINCH ARM ASS'Y	1 (M)	
35	VXL2588C	PINCH GUIDE ARM ASS'Y	1	
36	VXA5570C	T SECTOR GEAR ASS'Y	1	
37	VXL3251C	TENSION REG. GUIDE ARM	1	
38	VXA5567C	S SECTOR GEAR ASS'Y	1	
39	VXA5564C	T4 SECTOR GEAR ASS'Y	1	
40	VXA8042	MAIN ROD ASS'Y	1	
41	VXA5627C	THRUST SHAFT HOLDER ASS'Y	1	
42	VDG1166	MOTOR WARM GEAR	1	
43	VDG1443	EMARGENCY GEAR A	1	
44	VDG1444	MOTOR EMARGENCY GEAR B	1	
45	VXL2889C	MAIN CAM ARM ASS'Y	1	
46	VDG1168	MAIN CAM GEAR	1 (M)	
47	VMB2937	A/C HEAD ADJUST SPRING	1	
48	VXL2600C	EJECT ARM ASS'Y	1	
49	VMD3475	T1 GUIDE ASS'Y	1	
50	VMB2934	SPRING	1	
51	VMB3051	CLEANER RETURN SPRING	1	
52	VXA6077	CLEANER BASE 1 ASS'Y	1	OR VXA6077C
53	VXA7382C	CLEANER SOLENOID ASS'Y	1	
53-1	L9AAB8DB0001	CLEANER SOLENOID	1 (M)	
53-2	VMA9877	CLEANER SOLENOID BASE	1	
54	VMB0429	CLEANER INTERLOCK	1	
55	VXQ0556	THRUST SCREW ASS'Y	1 (M)	
56	VMT0871	SILENCER A	1	
57	VMT0872	SILENCER B	1	
58	VMS7595	AZIMUTH SLEEVE	1	
59	VMZ2737	MODE SW COVER	1	
60	VMB2948	SPRING	1	
61	VMB3192	SPRING	1	
62	VMZ3522	CLIP	1	
63	VMA0860	LED SPACER	1	
101	VHD0356	SCREW	1	
102	XQN2+A3FJ	SCREW	1	
103	XQN2+A2FJ	SCREW	2	
104	XQN2+A35FJK	SCREW	3	

Ref.No.	Part No.	Part Name & Description	Pcs	Remarks
105	XQN2+AM2FJ	SCREW	2	
106	XQN2+CF5FJ	SCREW	1	
107	XQN2+CF3FJ	SCREW	7	
108	XQN2+CF4FJ	SCREW	3	
109	XUC12FP	E-RING	2	
110	XVE2B4FJK	HEX SCREW	3	
111	XVE2B6FP	HEX SCREW	1	
112	XVE2B12FP	HEX SCREW	1	
113	VXQ1156	SCREW	3	
114	VMX0967	CUT WASHER	3	
115	VMX1061	WASHER	3	
116	VMX1079	CUT WASHER	1	
117	XWA2BFJ	WASHER	4	
118	XWE2FJ	WASHER	2	
119	XWE16VW	WASHER	1	
120	XXE2A6FP	HEX SCREW	1	
121	XWG2FJ	WASHER	3	
122	XWGV15232G	WASHER	3	
123	VHN0365	NYLON NUT	1	
124	VHN0312	NUT	2	
125	XQN2+AQ35FJK	SCREW	1	
126	XQN2+BQ55FJK	SCREW	1	
127	XQN2+A15FJ	SCREW	4	
128	XQN2+A5FJ	SCREW	1	
129	XWGV224G	WASHER	1	
130	XYN2+J6FJ	SCREW	1	
131	XYN2+J5FJ	SCREW	2	
132	XQN2+CM3FJ	SCREW	1	
133	XQN2+C4FJ	SCREW	1	
134	VMX1394	WASHER	1	
135	XQN2+AM3FJ	SCREW	2	
136	XYN2+J7FJ	SCREW	1	

# MECHANICAL CHASSIS ASSEMBLY (3)




PRT-21





# PACKING PARTS ASSEMBLY

Components identified with the mark  have the special characteristics for safety. When replacing any of these components, use only the same type.

